
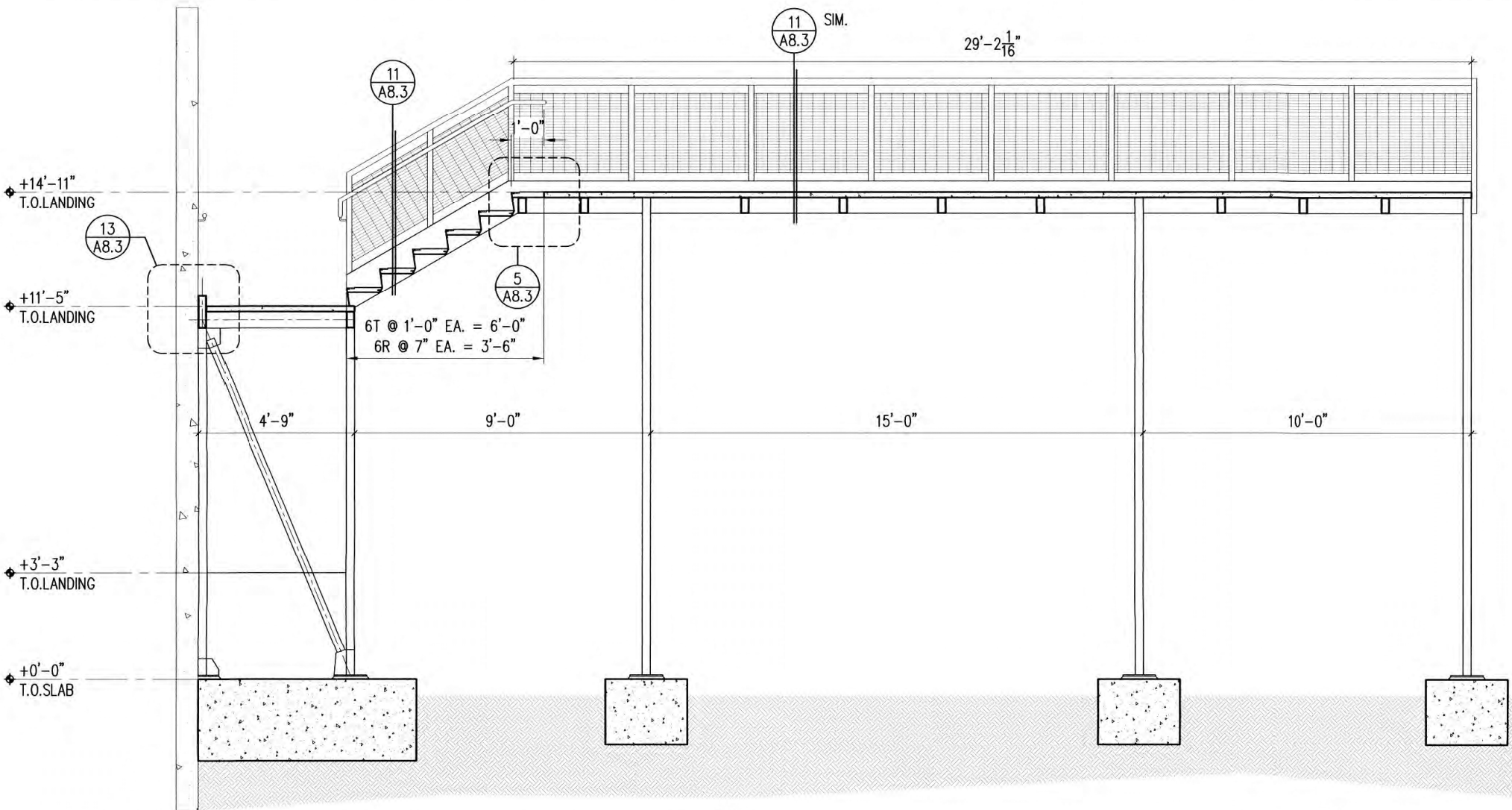


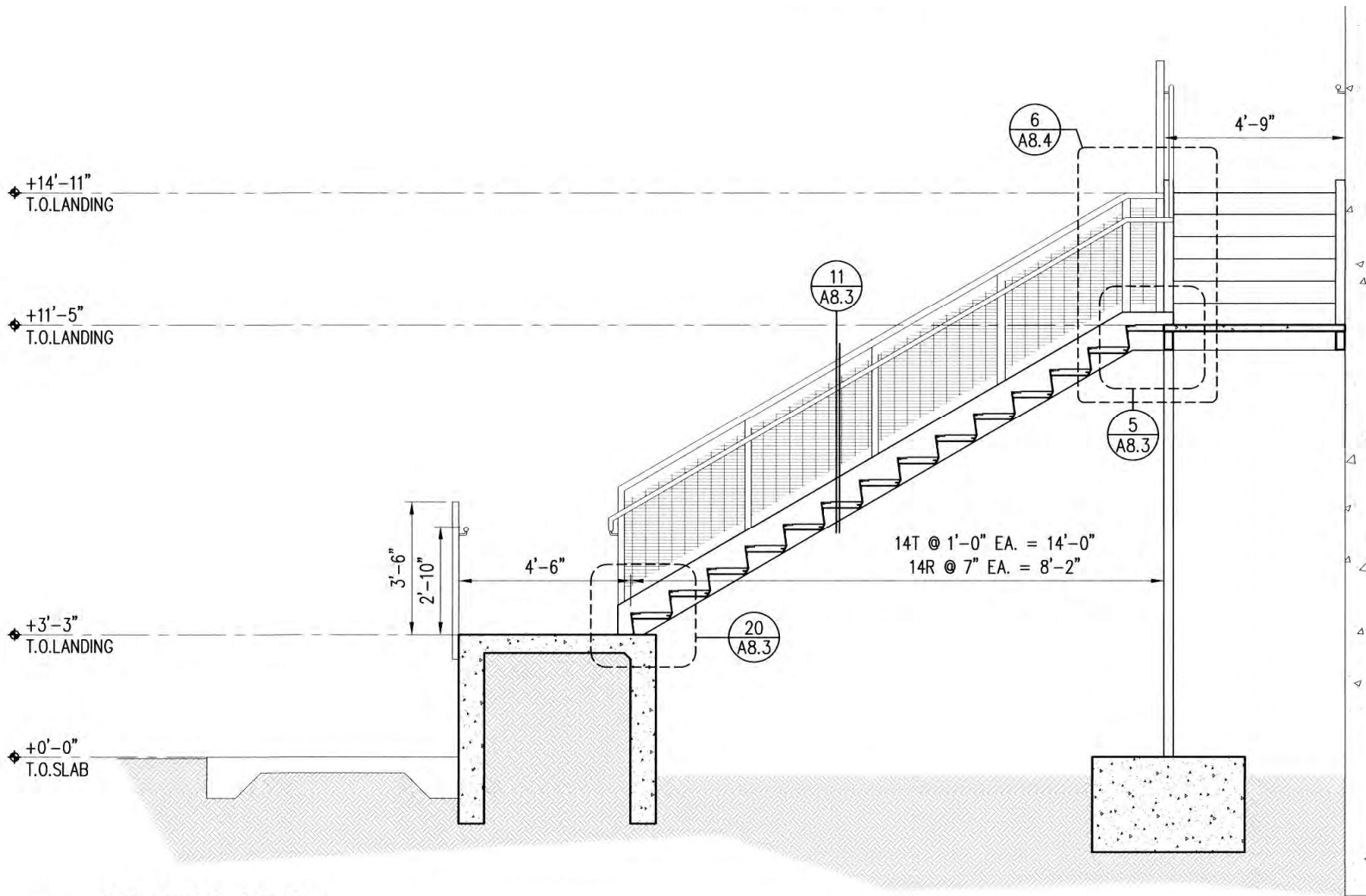
5 EXTERIOR EXIT STAIR

  
 SCALE: 1/4" = 1'-0"



18 STAIR SECTION

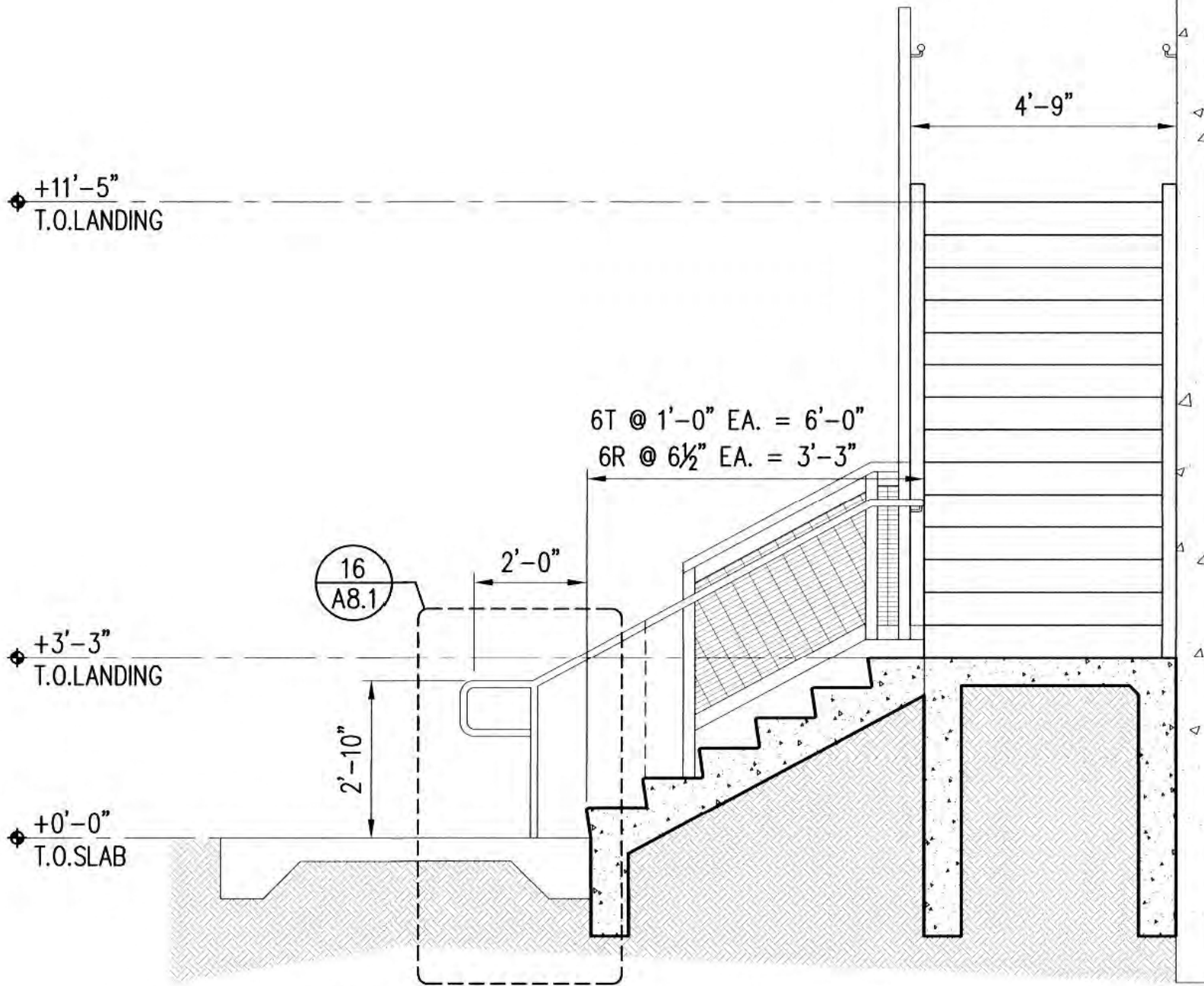
SCALE: 3/8" = 1'-0"



17

STAIR SECTION

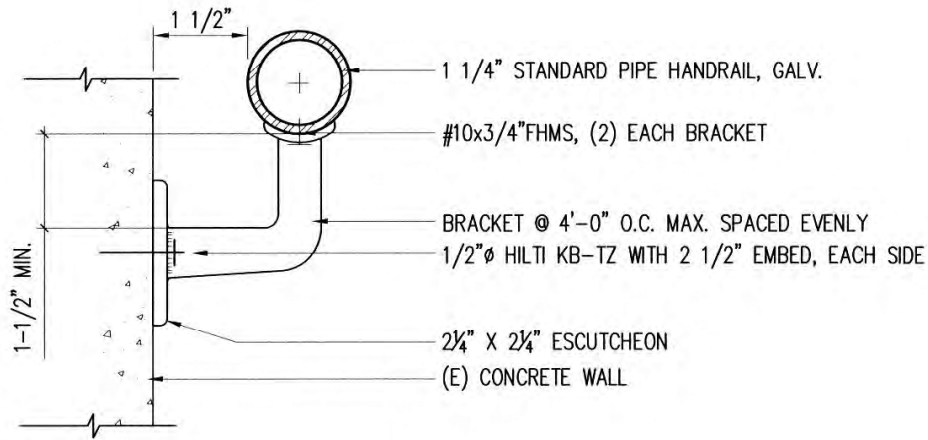
SCALE: 3/8" = 1'-0"



16

STAIR SECTION

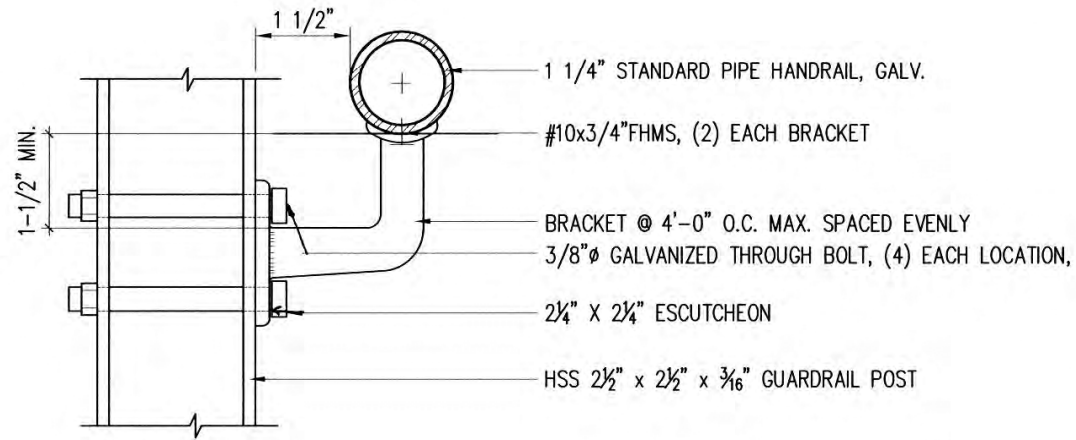
SCALE: 3/8" = 1'-0"



NOTE: ALL HANDRAILS TO BE SCHEDULE 40.

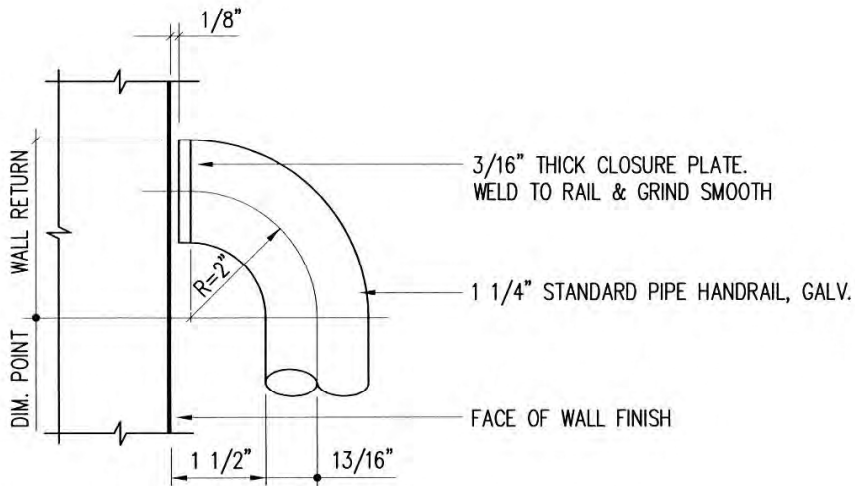
4 HANDRAIL @ CEMENT PLASTER WALL

SCALE: 6" = 1'-0"



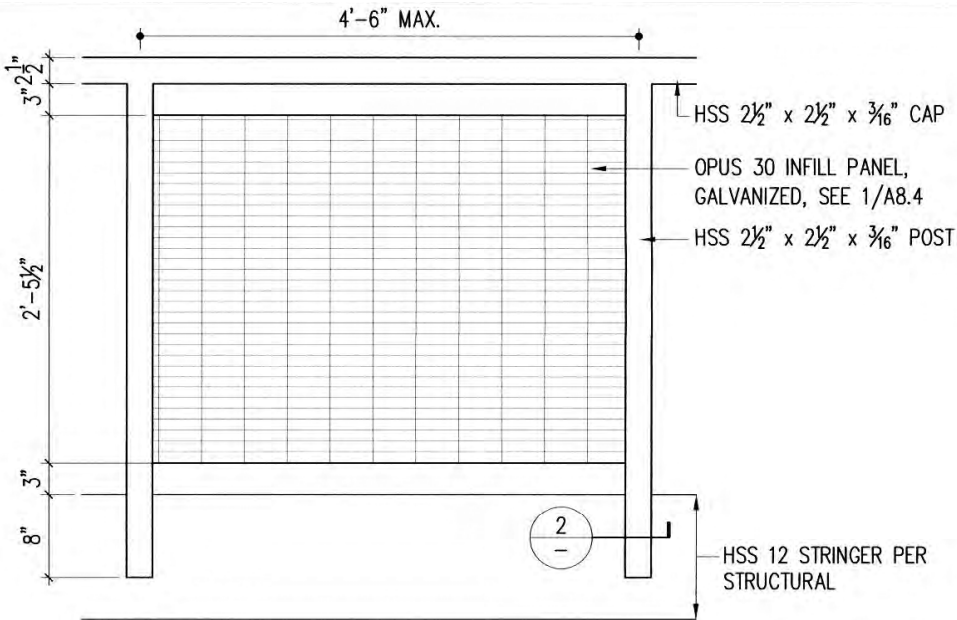
9 HANDRAIL @ GUARDRAIL POST

SCALE: 6" = 1'-0"



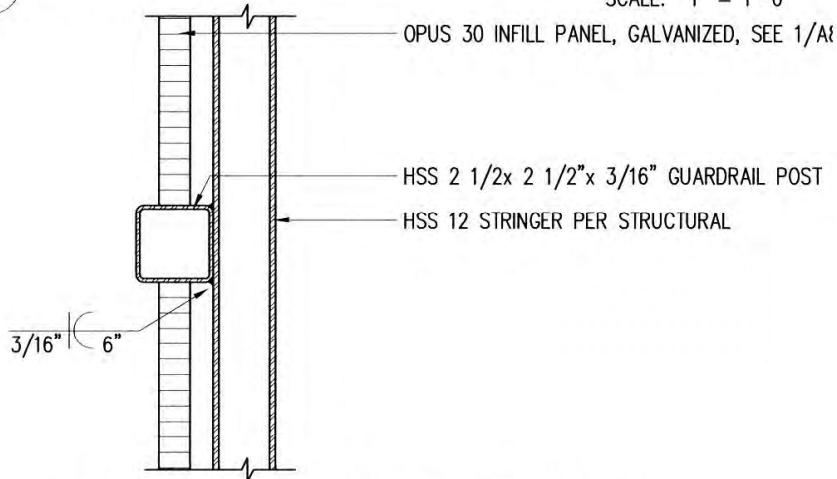
5 TYPICAL HANDRAIL WALL RETURN

SCALE: 6" = 1'-0"



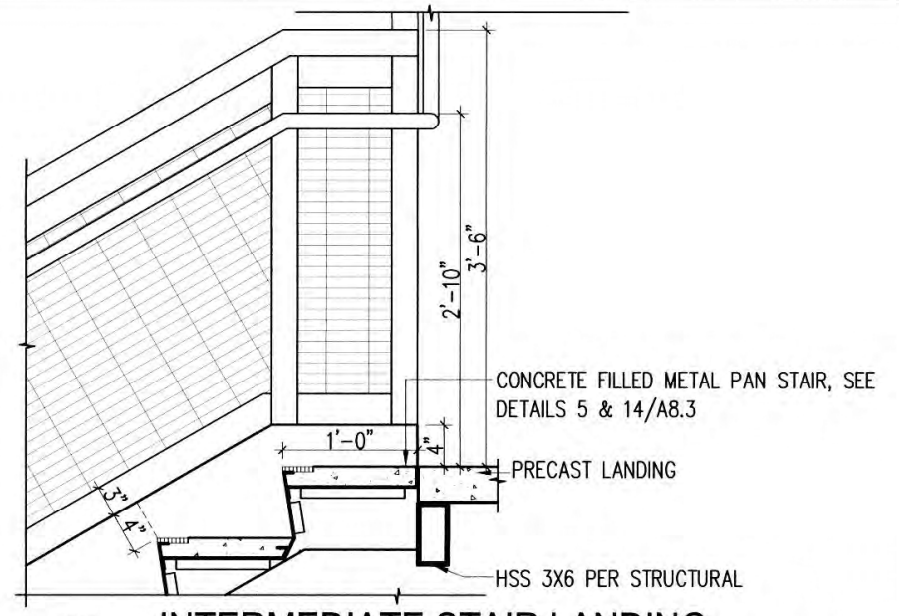
**1 TYPICAL GUARDRAIL SYSTEM ELEVATION**

SCALE: 1" = 1'-0"



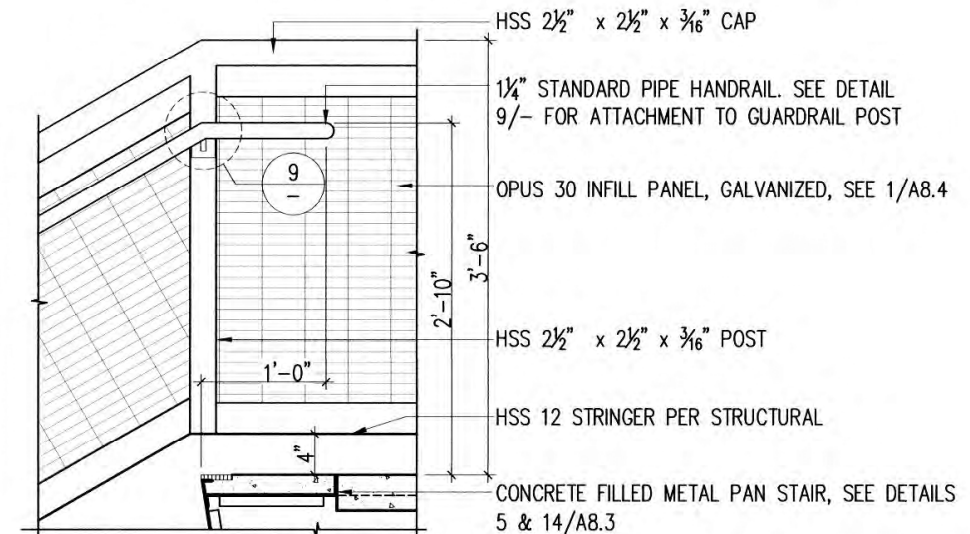
**2 GUARDRAIL POST & PANEL - PLAN**

SCALE: 3" = 1'-0"



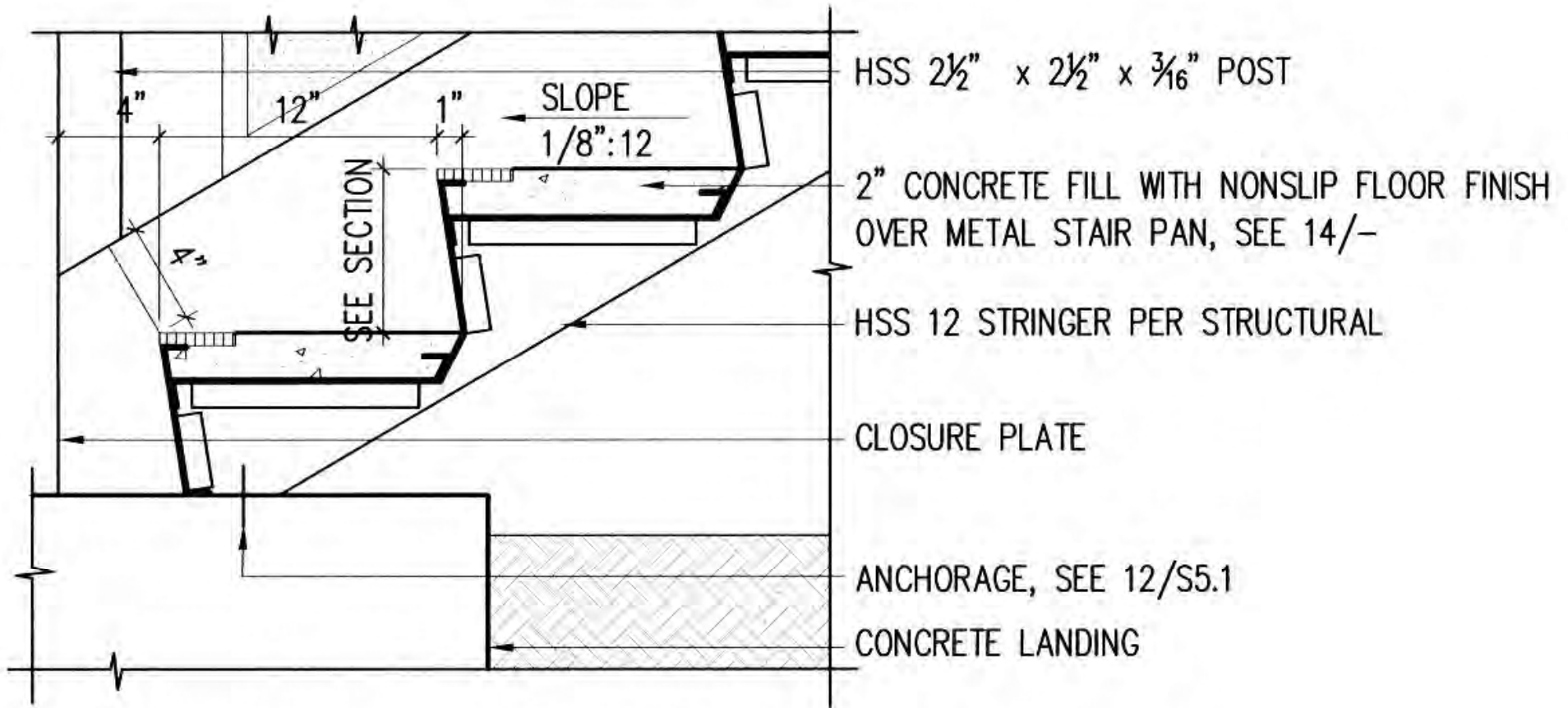
**6 INTERMEDIATE STAIR LANDING**

SCALE: 1" = 1'-0"



**7 RAILING @ TOP STAIR LANDING**

SCALE: 1" = 1'-0"

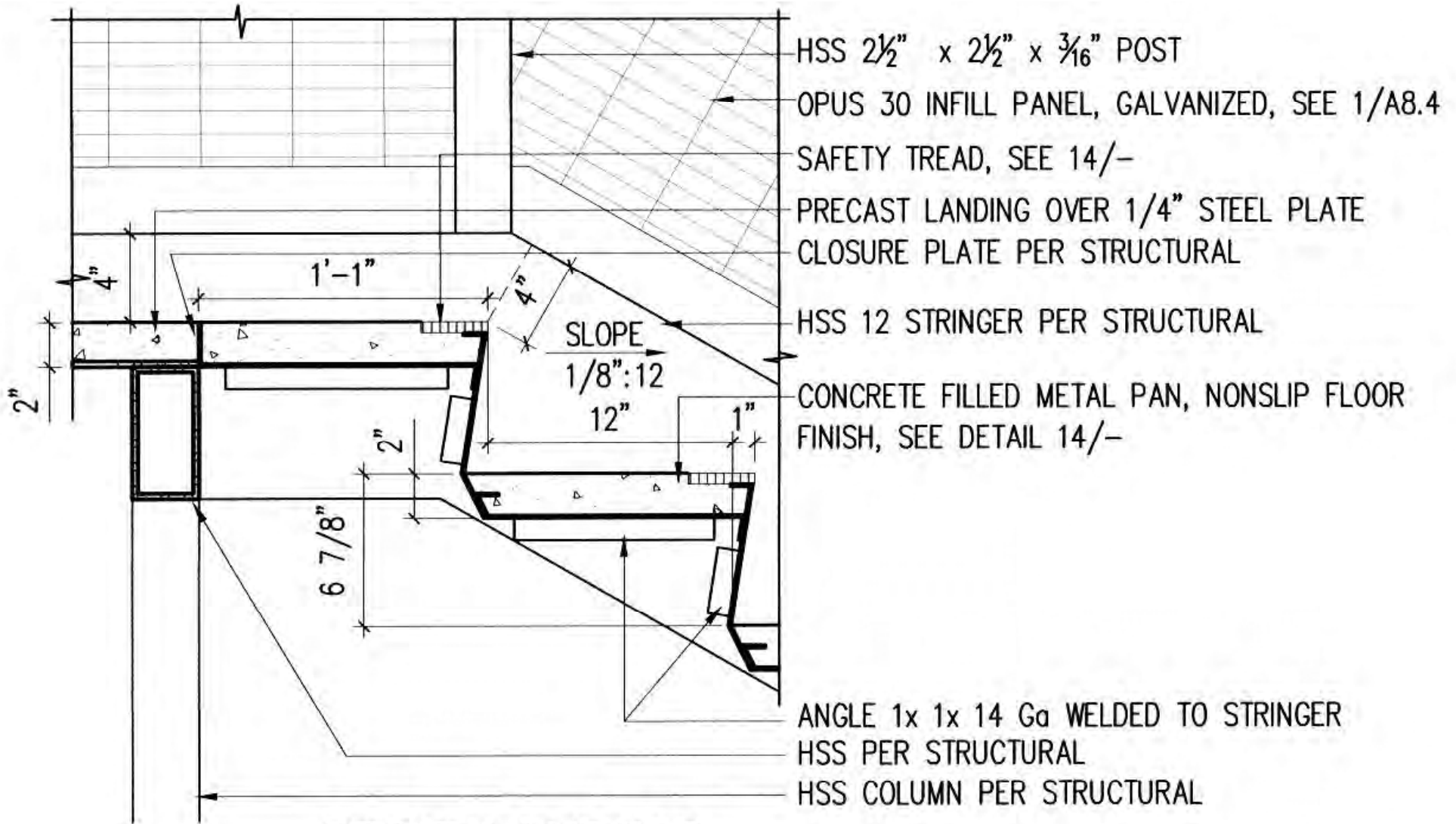


20

# STAIR BOTTOM LANDING

SCALE: 1 1/2" = 1'-0"

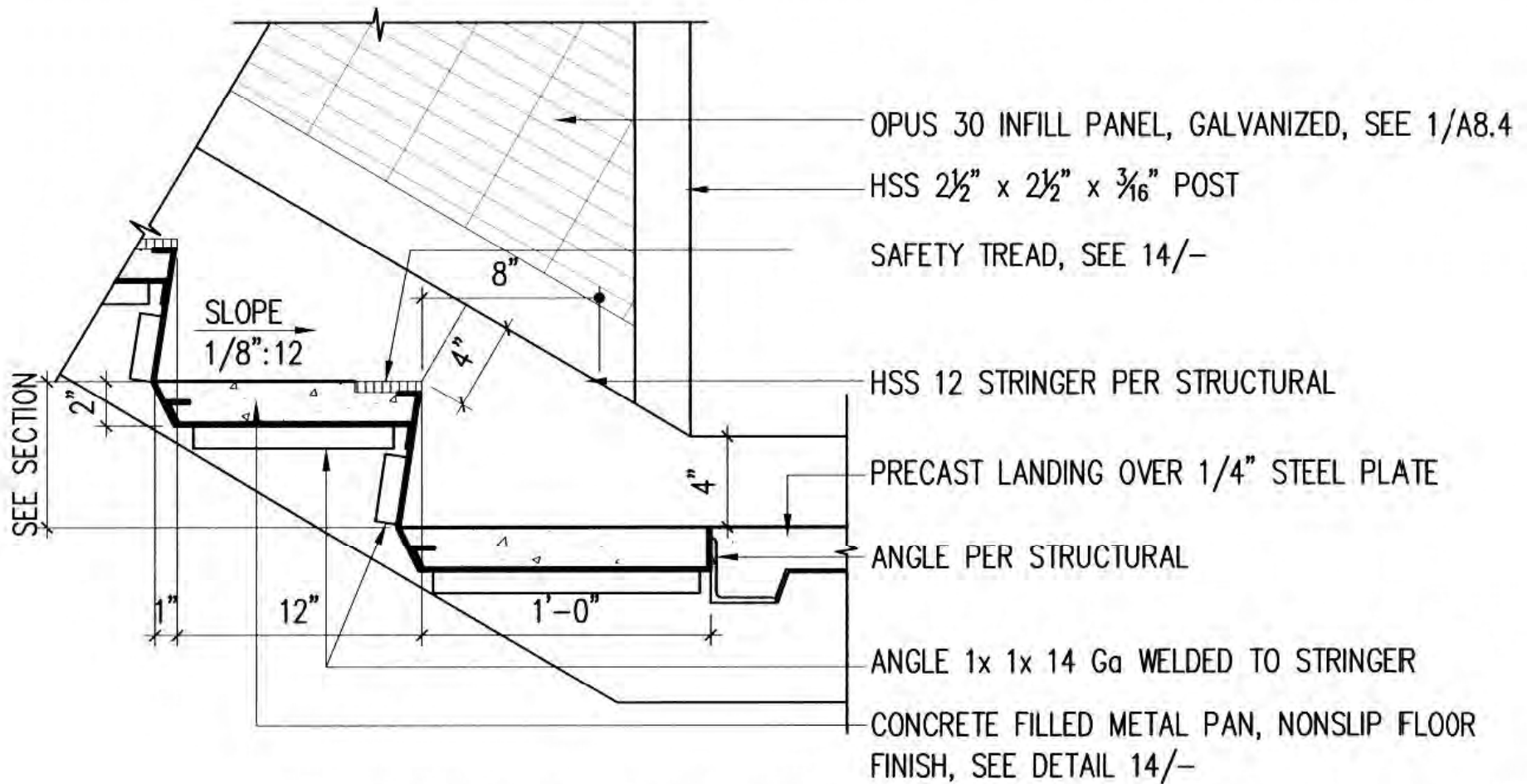




5

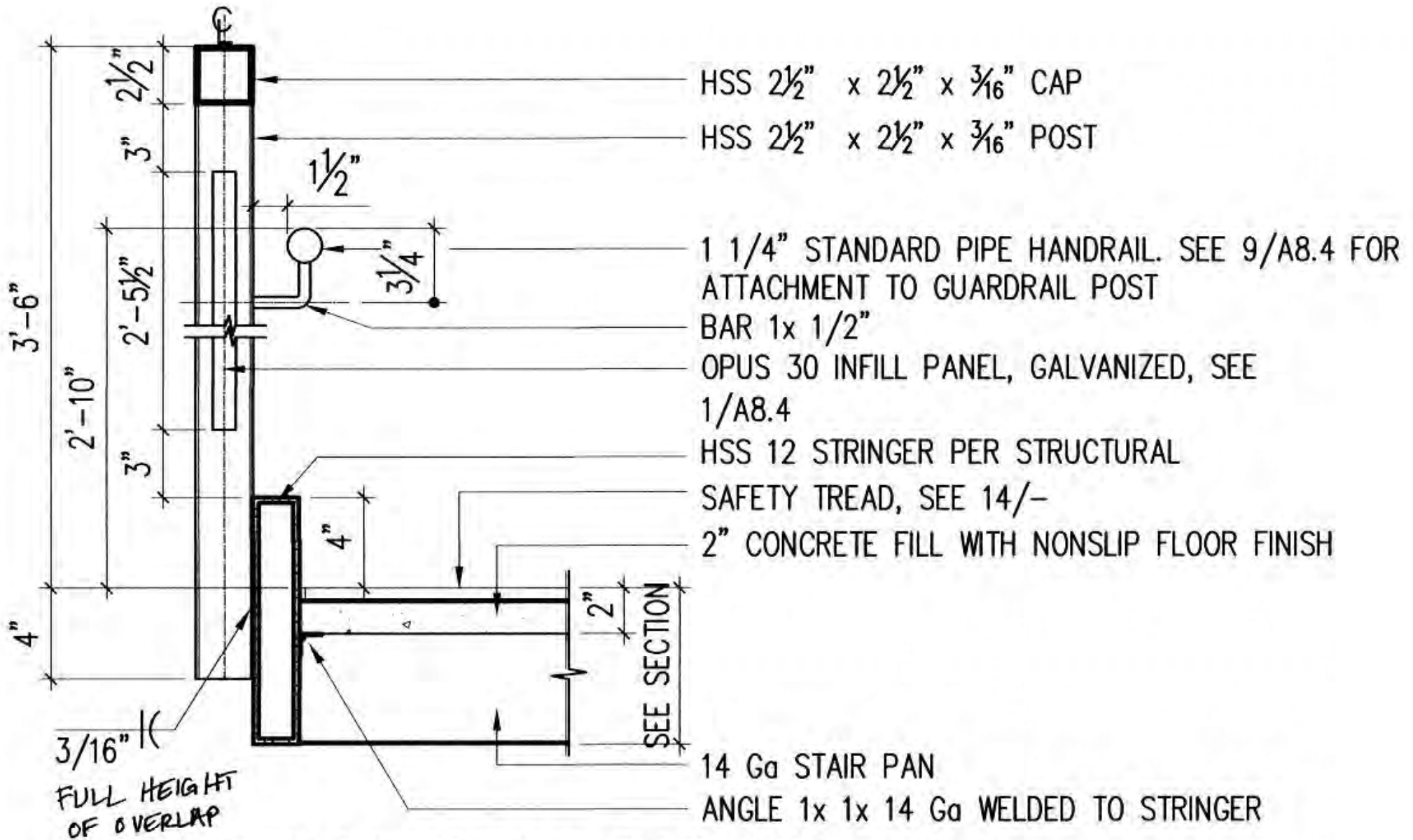
# STAIR LANDING

SCALE: 1 1/2" = 1'-0"



17 STAIR LANDING

SCALE: 1 1/2" = 1'-0"



11

## TYPICAL STAIR RAILING

SCALE: 1 1/2" = 1'-0"