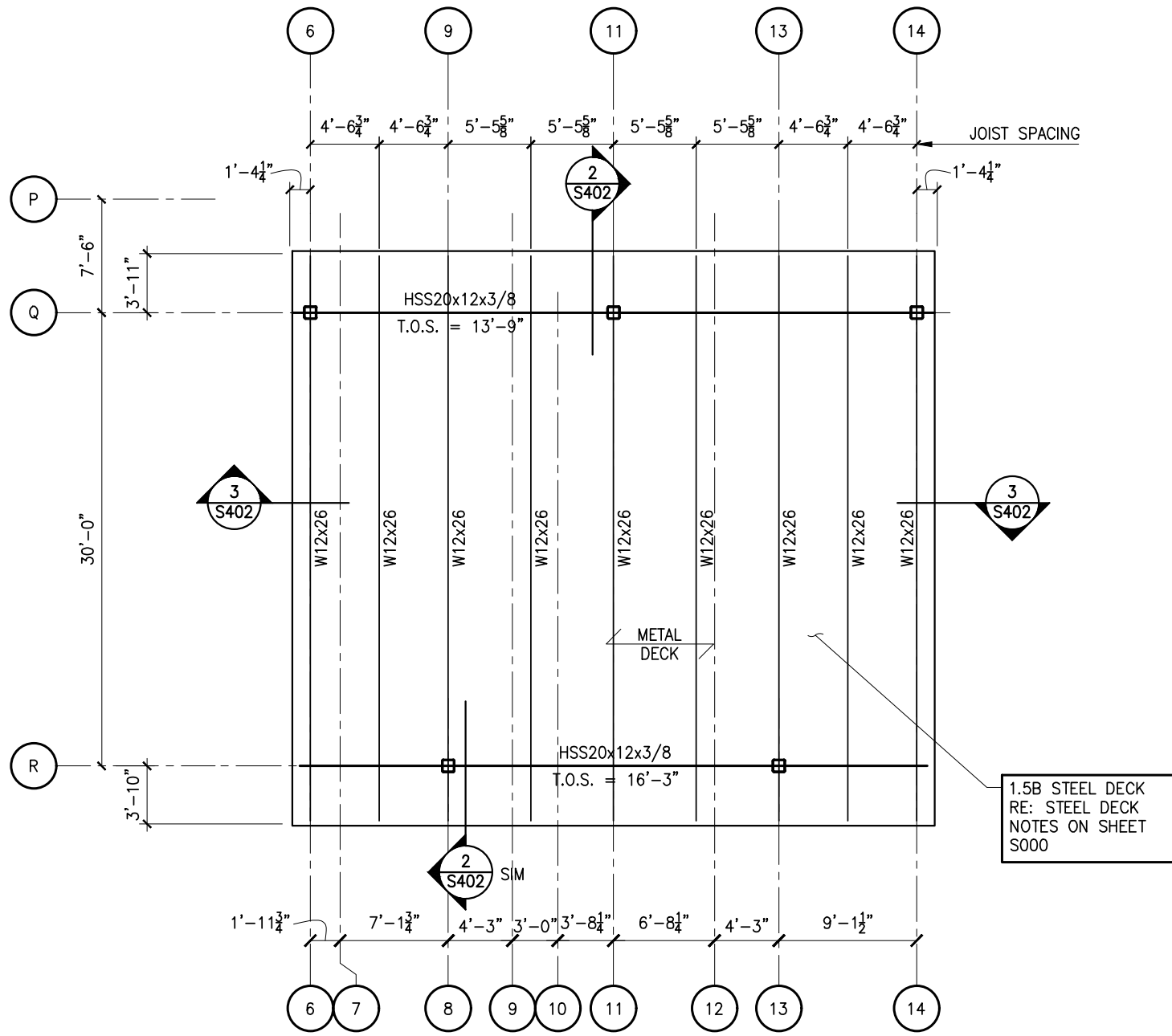
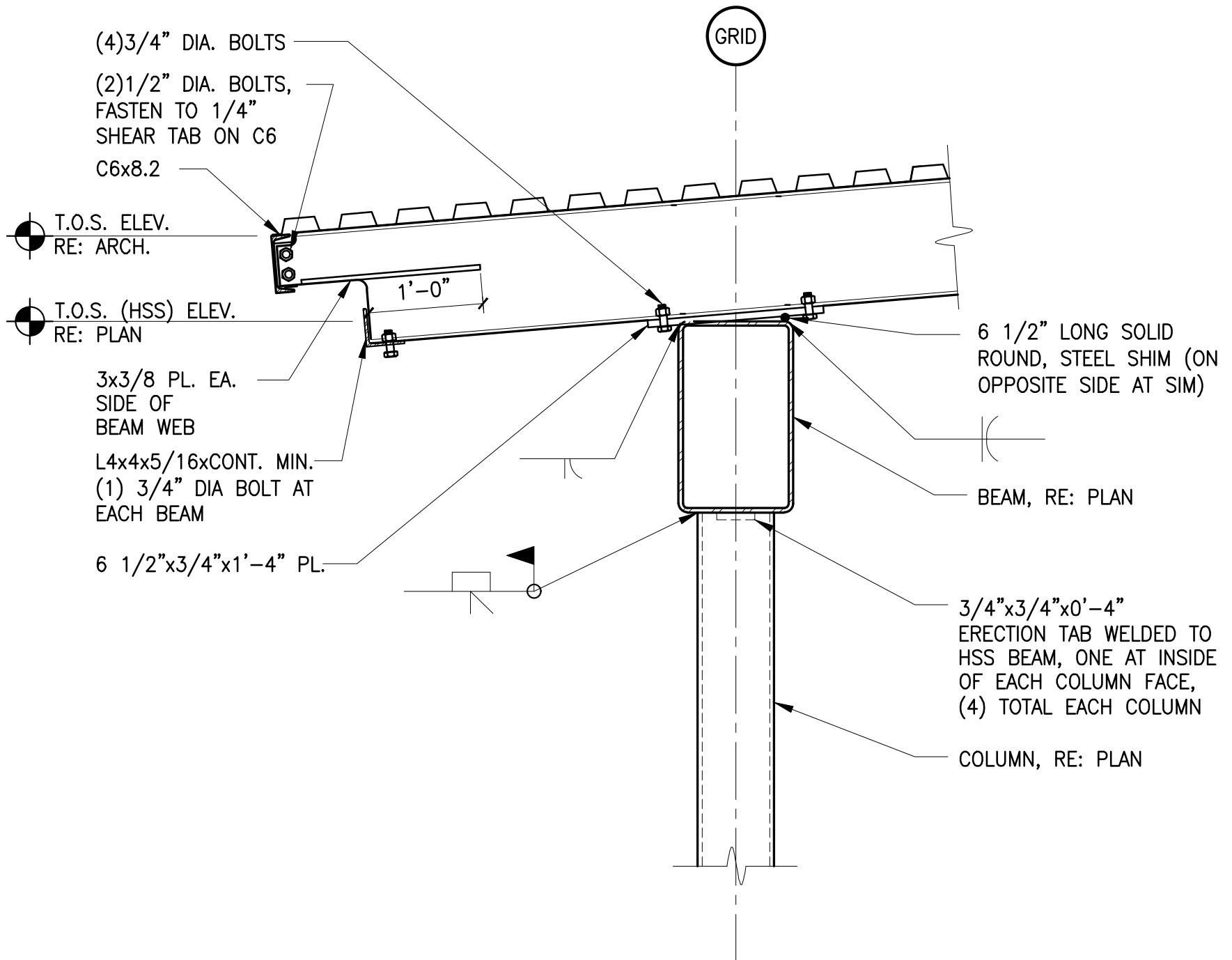


**1 FOUNDATION AND SLAB PLAN**  
 1/8" = 1'-0"  
 NORTH



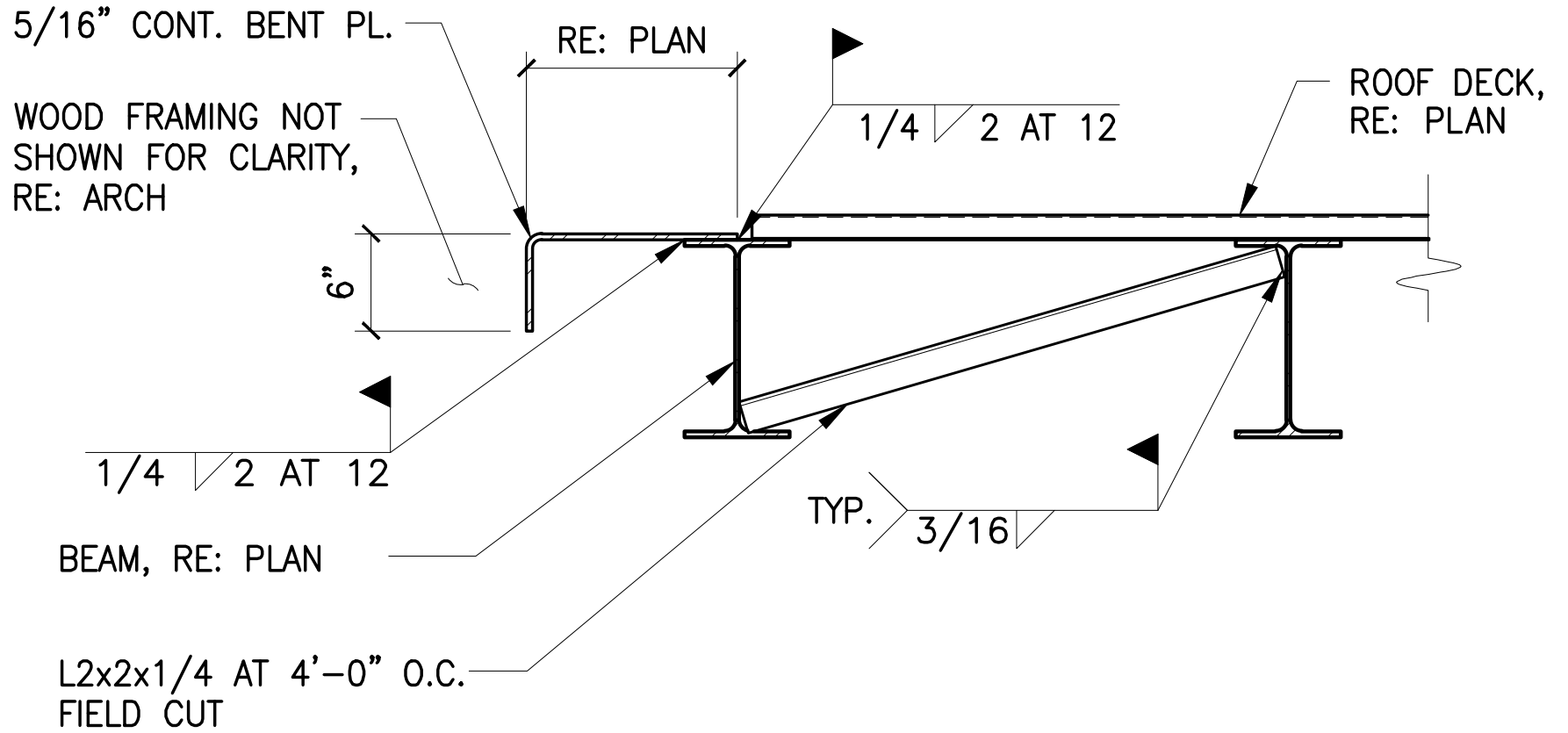
# 1 CANOPY FRAMING

1/8" = 1'-0"



## 2 SECTION

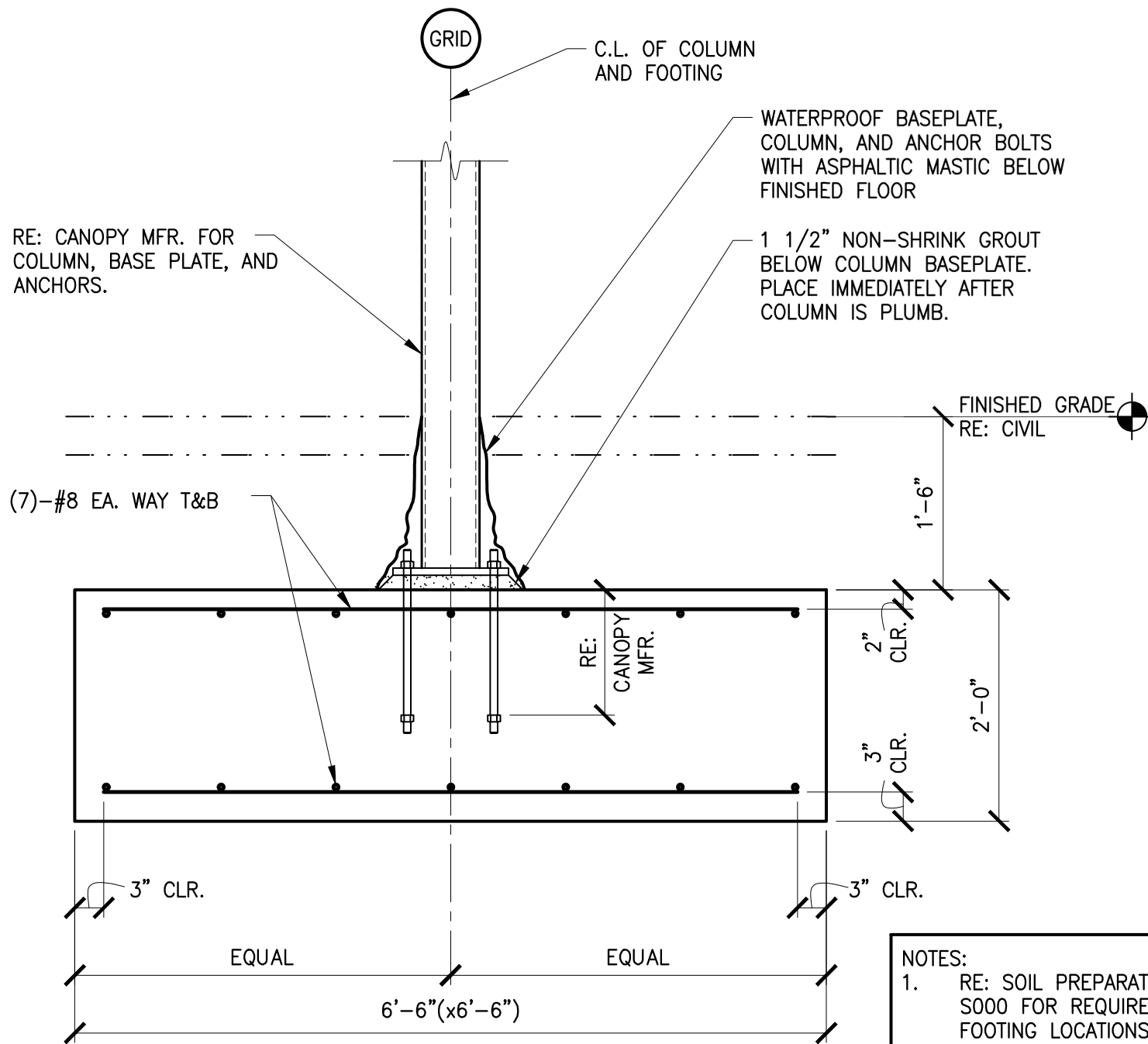
3/4" = 1'-0"



# 3 SECTION

---

3/4" = 1'-0"

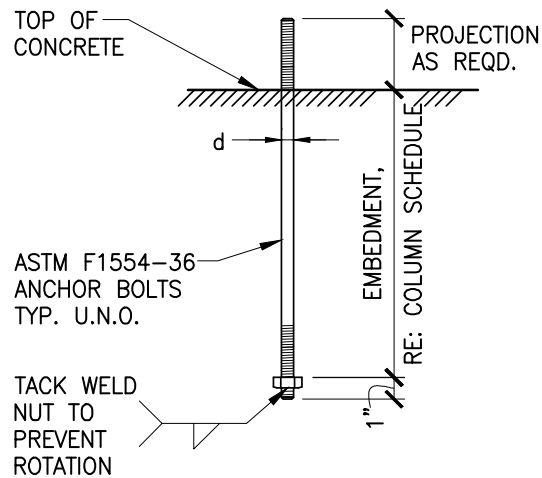


- NOTES:
- RE: SOIL PREPARATION NOTES ON SHEET S000 FOR REQUIREMENTS AT ALL FOOTING LOCATIONS.
  - MINIMUM BEARING DESIGN CAPACITY AT SHADE CANOPY FOOTING = 2500 PSF

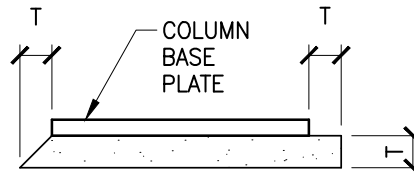
# 7 FOOTING AT SHADE CANOPY

N.T.S.

- NOTES:
1. ALL ANCHOR BOLTS TO BE SUPPLIED WITH (3) NUTS. PROVIDE HEAVY HEX NUTS AT C5 COLUMN ANCHOR BOLTS.
  2. ANCHOR BOLTS SHALL BE ASTM F1554 GR 36.

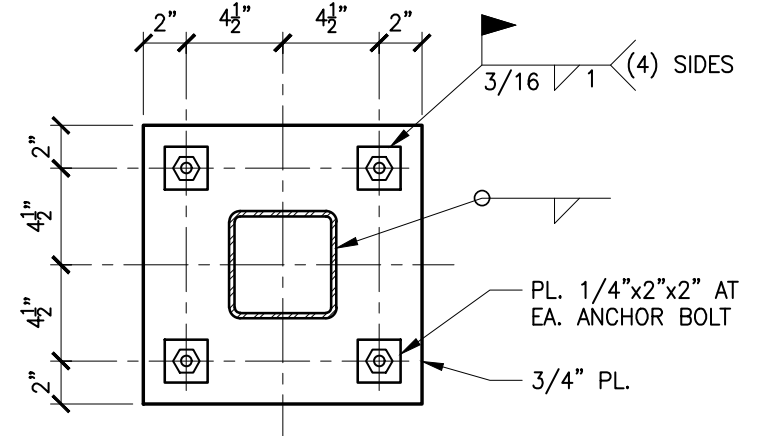


**ANCHOR ROD**  
NO SCALE



GROUT MAY BE BEVELED OR FORMED BUT SHALL EXTEND A MIN. OF "T" BEYOND FACE OF BASE PLATE. "T" = 1 1/2" FOR ANCHOR BOLT DIA. UP TO 1" AND 2 1/2" UP TO 1 3/8" DIA. ANCHOR BOLT.

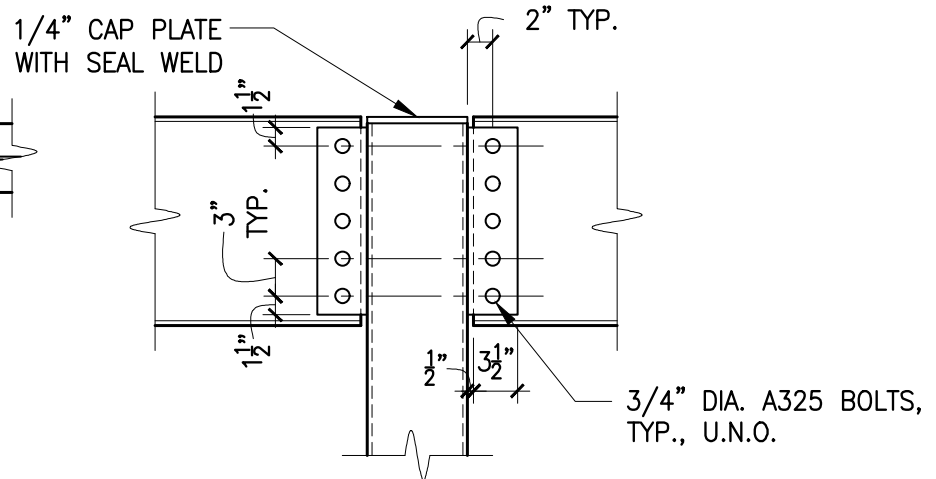
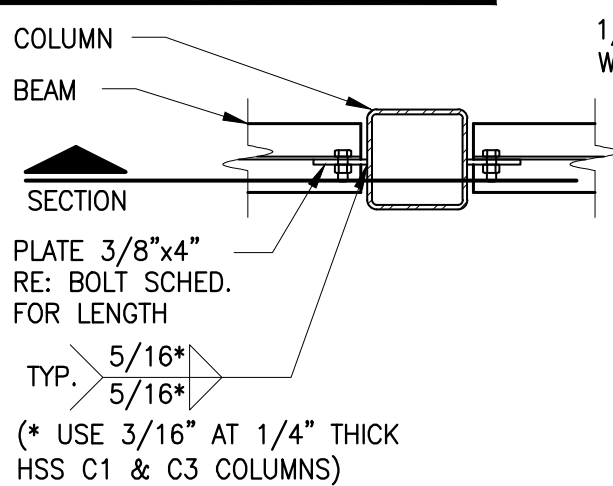
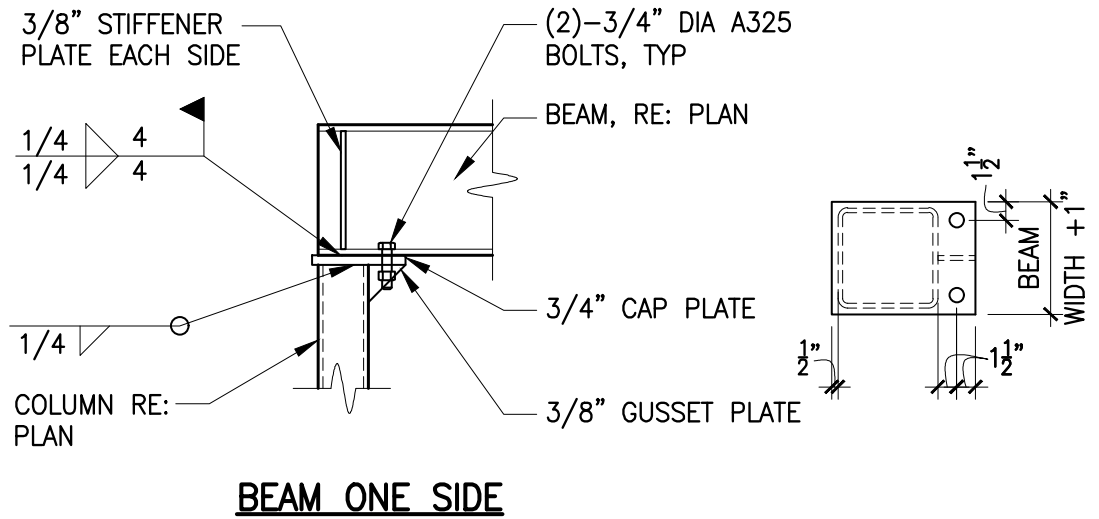
**GROUT PLACEMENT**  
NO SCALE



**TYPE 1 BASE PLATE DETAIL**  
SCALE: 1 1/2" = 1'-0"

10 **ANCHOR ROD EMBEDMENT/BASE PLATE DIAGRAM**  
N.T.S.

BOLT SCHEDULE		
SECTION	NUMBER OF BOLTS	PLATE LENGTH
W8-W10	2	0'-6"
W12-W14	3	0'-9"
W16	4	1'-0"
W18	5	1'-3"
W21-W24	6	1'-6"



**BEAM BOTH SIDES**

# 6 BEAM-COLUMN CONNECTION DETAIL

3/4" = 1'-0"

ANCHOR BOLTS	EMBEDMENT
--------------	-----------