

KEYNOTES	#
0.01	(E) MANSARD, TYP.
0.02	(E) CORNICE BELOW @ 9TH FLOOR, TYP.
0.03	(E) LADDER TO ROOF FROM FIRE ESCAPE BELOW
0.05	(E) STL ANGLE
0.15	(E) COVERED SKYLIGHTS AND MECH. EQUIPMENT, V.I.F.
0.19	(E) GREASE FAN AND DUCT WORK, V.I.F.
0.20	(E) PILASTERS @ PARAPET WALL-HEIGHTS VARY, SEE ELEVATIONS, V.I.F.
0.21	(E) ROOF HATCH - ACCESS TO ROOF ABOVE 9TH FLOOR CEILING
0.22	(E) PARAPET BRACES STL ANGLE W/O PITCH POCKET, V.I.F.
0.23	(E) BRICK (OR CONCRETE AT MANSARD) PARAPET WALL, V.I.F.
0.25	(E) OPEN VENTILATION SHAFT, V.I.F.
0.30	(E) PARAPET BRACE, STL ANGLE W/ PITCH POCKET, V.I.F.
0.31	(E) BENT STEEL STRAP COVERED BY ROOFING ATTACHED TO ROOF AND PARAPET WALL, V.I.F.
0.32	(E) PLUMBING VENT, V.I.F.
5.01	OSHA COMPLIANT SAFETY RAIL, PER DWGS., SSD.

**1** ROOF PLAN  
1/8" = 1'-0"



ROOF PLAN  
112' - 10" +/-

9TH FLOOR  
98' - 8" +/-

8TH FLOOR  
82' - 0" +/-

7TH FLOOR  
71' - 2" +/-

6TH FLOOR  
60' - 4" +/-

5TH FLOOR  
49' - 6" +/-

4TH FLOOR  
38' - 8" +/-

3RD FLOOR  
27' - 10" +/-

2ND FLOOR  
17' - 0" +/-

1ST FLOOR  
0' - 0"

Existing Granite @  
Entry

Existing Terra  
Cotta Belt Course

Existing Window  
with Terra Cotta  
Surround, Typ.

Existing Brick,  
Typ.

Existing Terra  
Cotta Belt Course

Existing Retail  
Frontage to  
Remain

Proposed Safety Rail

(E) PARAPET & MANSARD

1921 (apx.)  
Addition

1914 (apx.)  
Original Building

60° SIGHTLINE

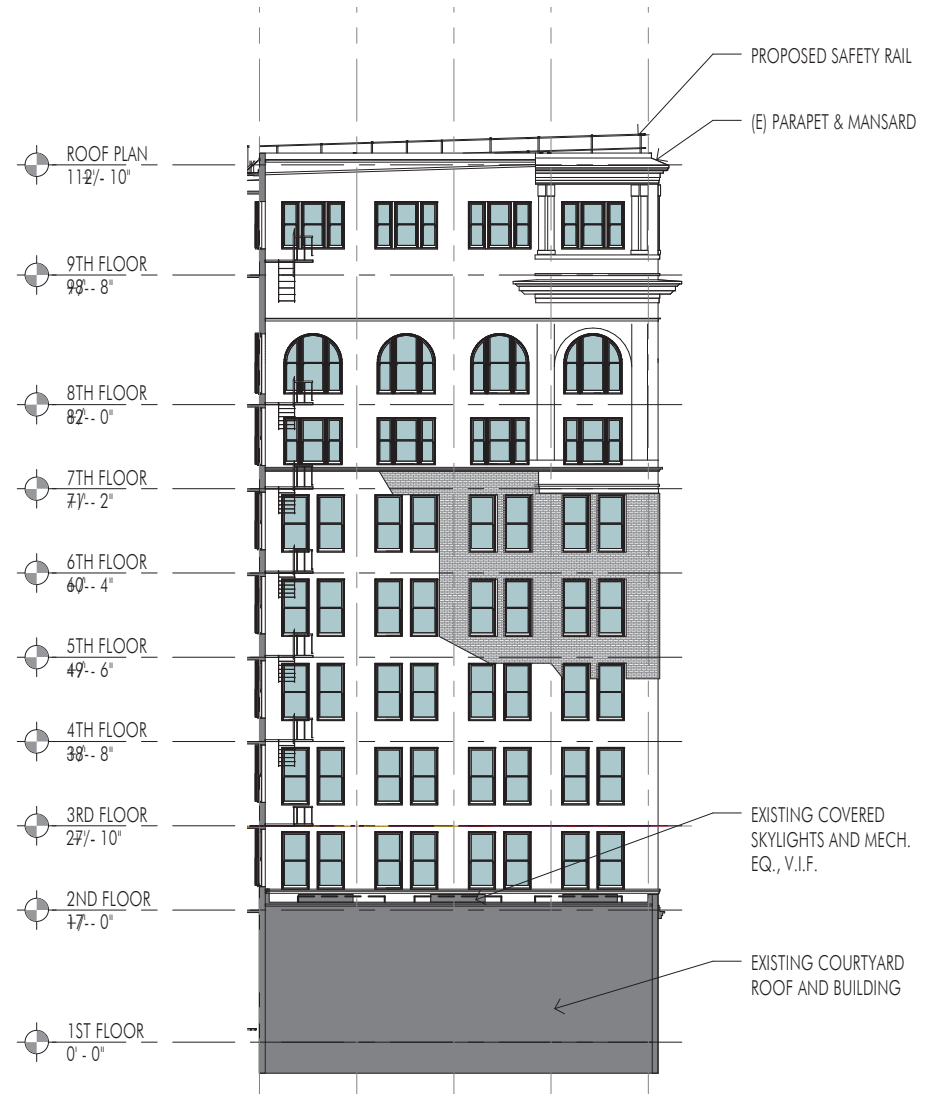
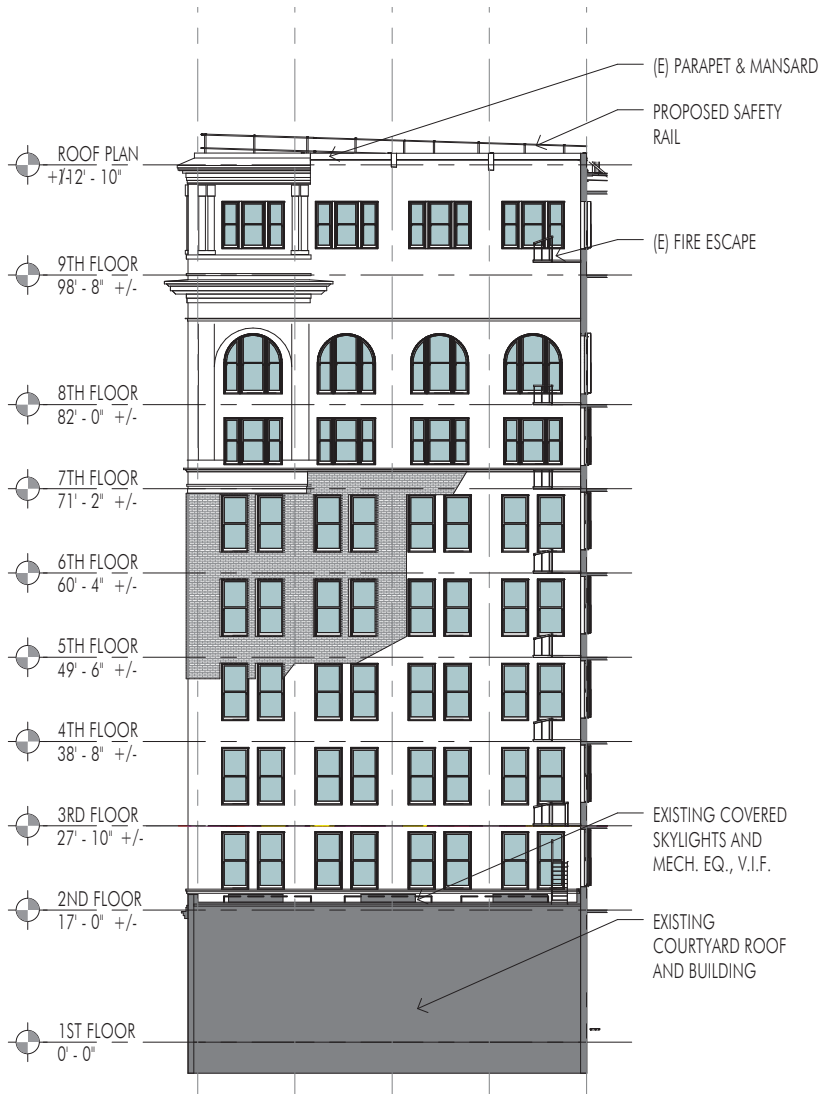
5'-6" , TYP.

POWELL ST.

1

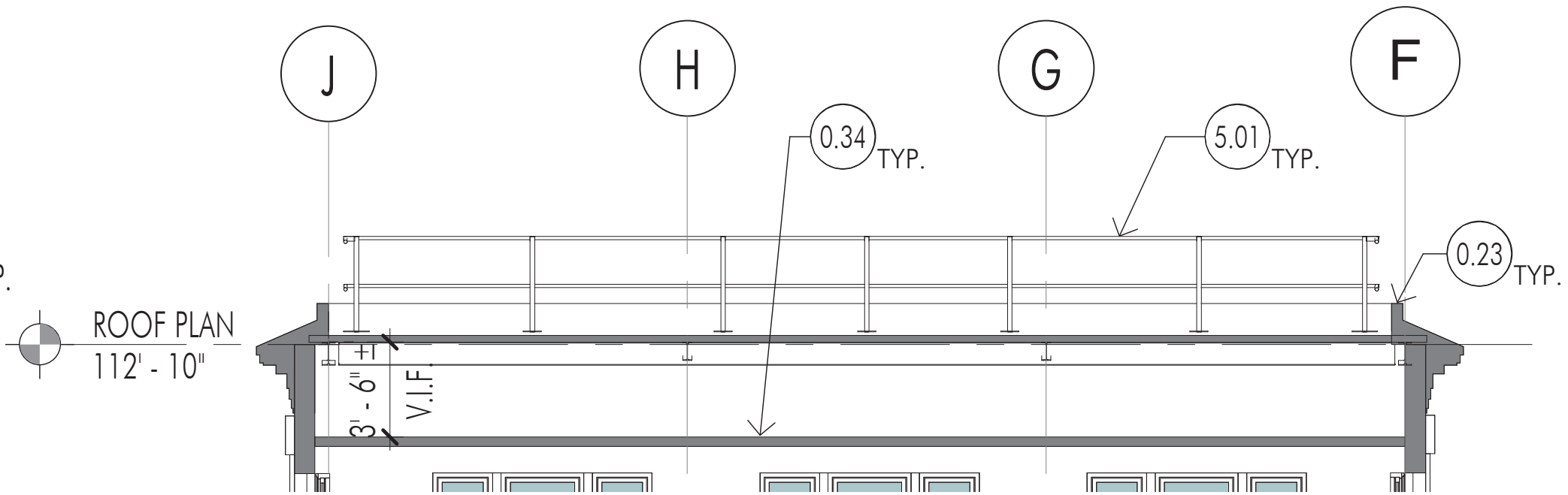
# SOUTH ELEVATION

1/16" = 1'-0"



1 LIGHTWELL SOUTH ELEVATION  
1/16" = 1'-0"

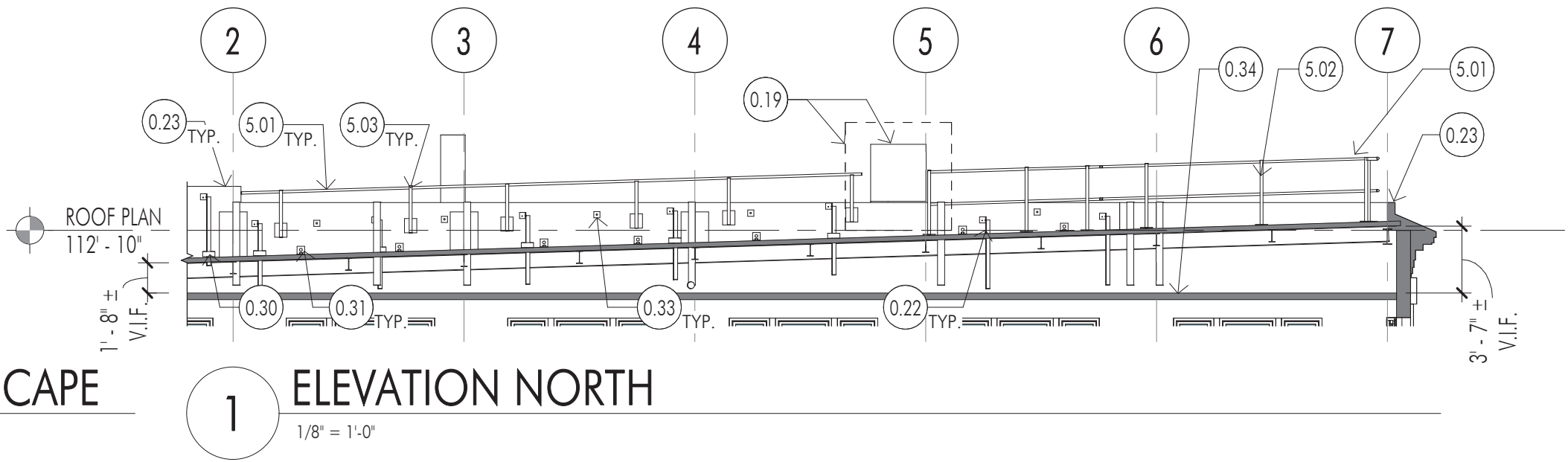
2 LIGHTWELL NORTH ELEVATION  
1/16" = 1'-0"

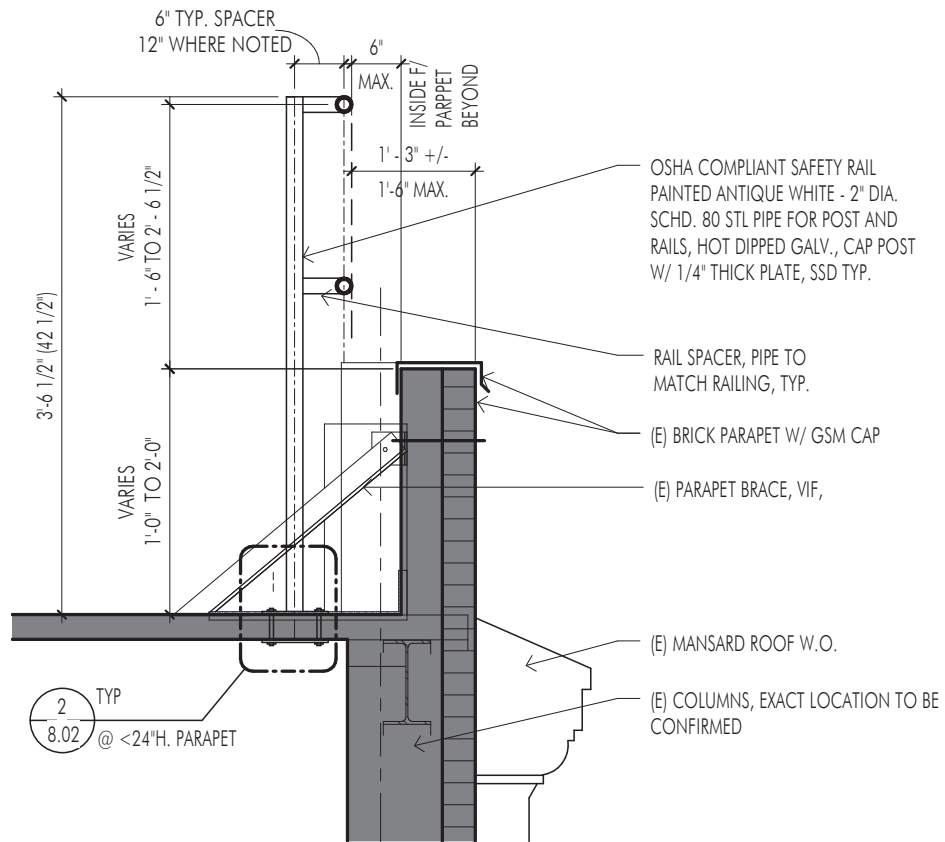


2

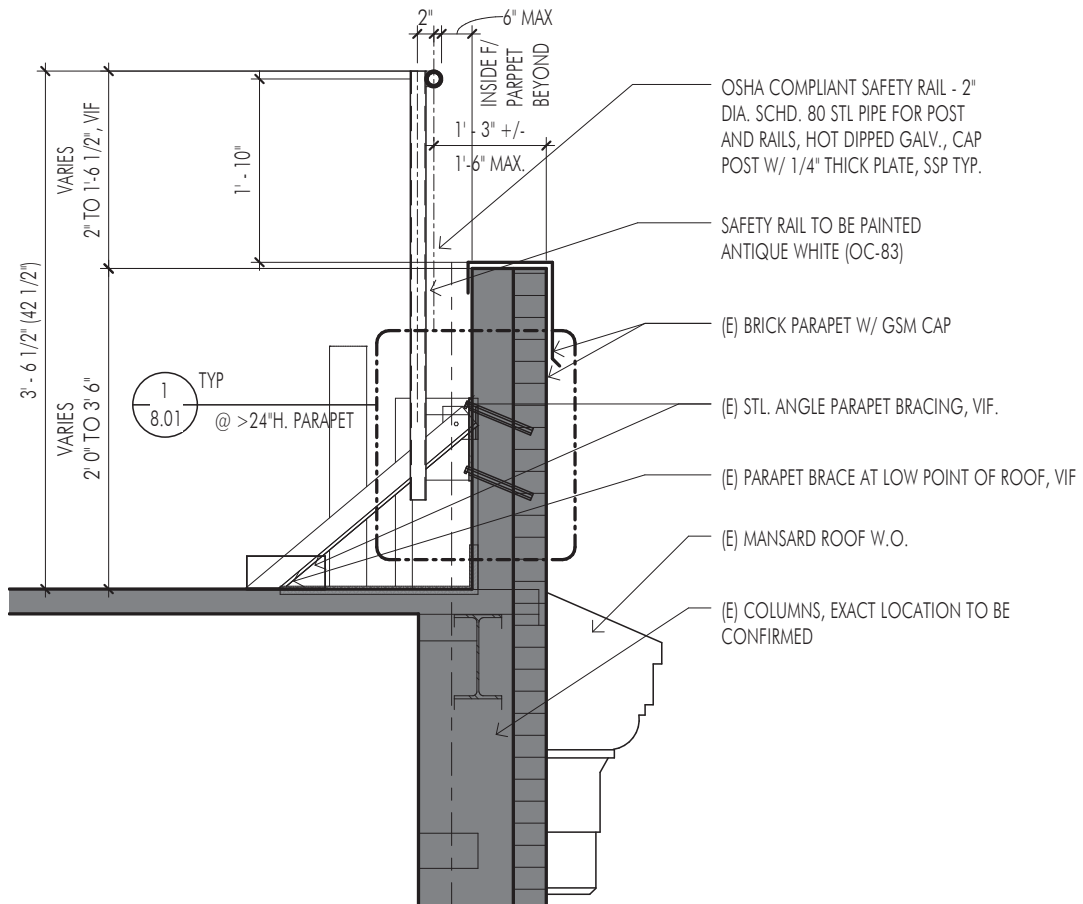
# ELEVATION EAST 1/2

1/8" = 1'-0"



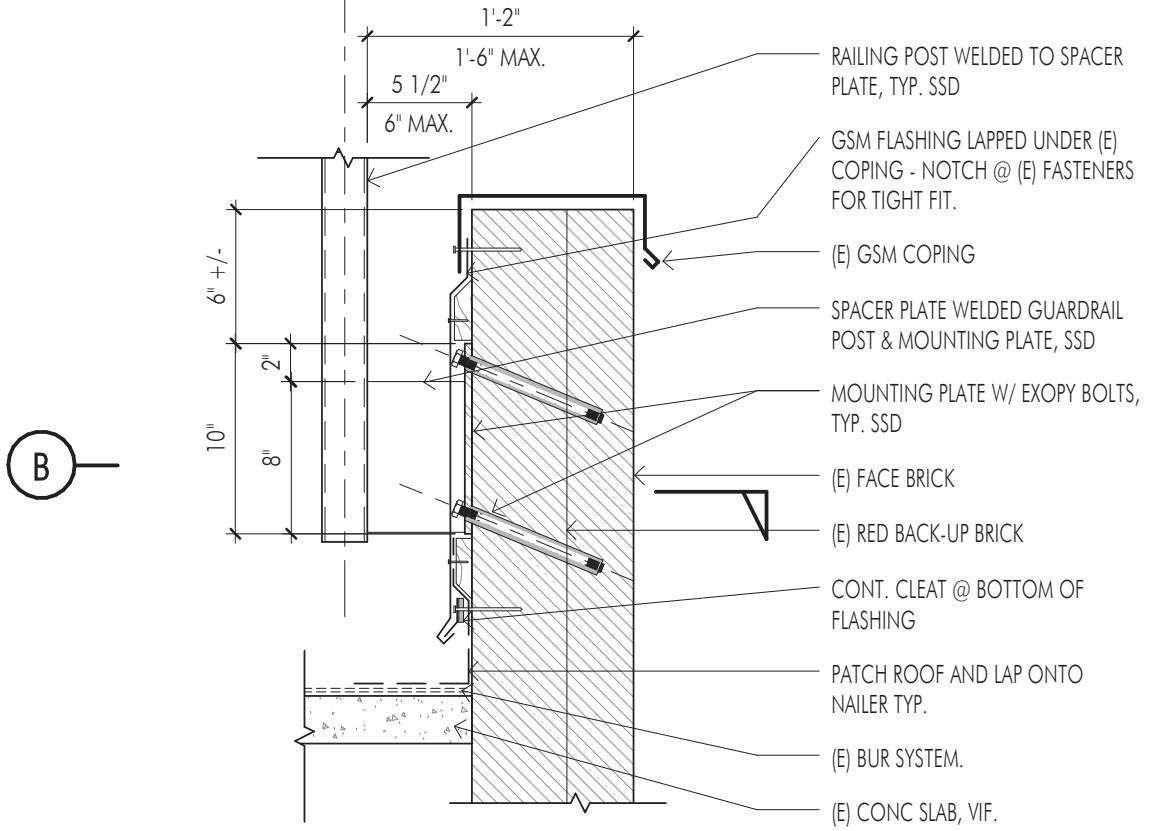
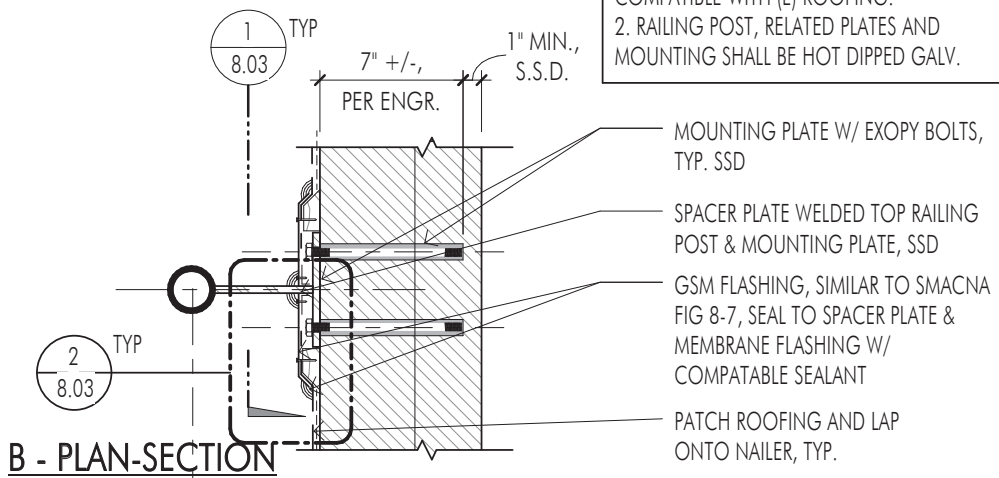


**2 SECTION @ PARAPET**  
3/4" = 1'-0"



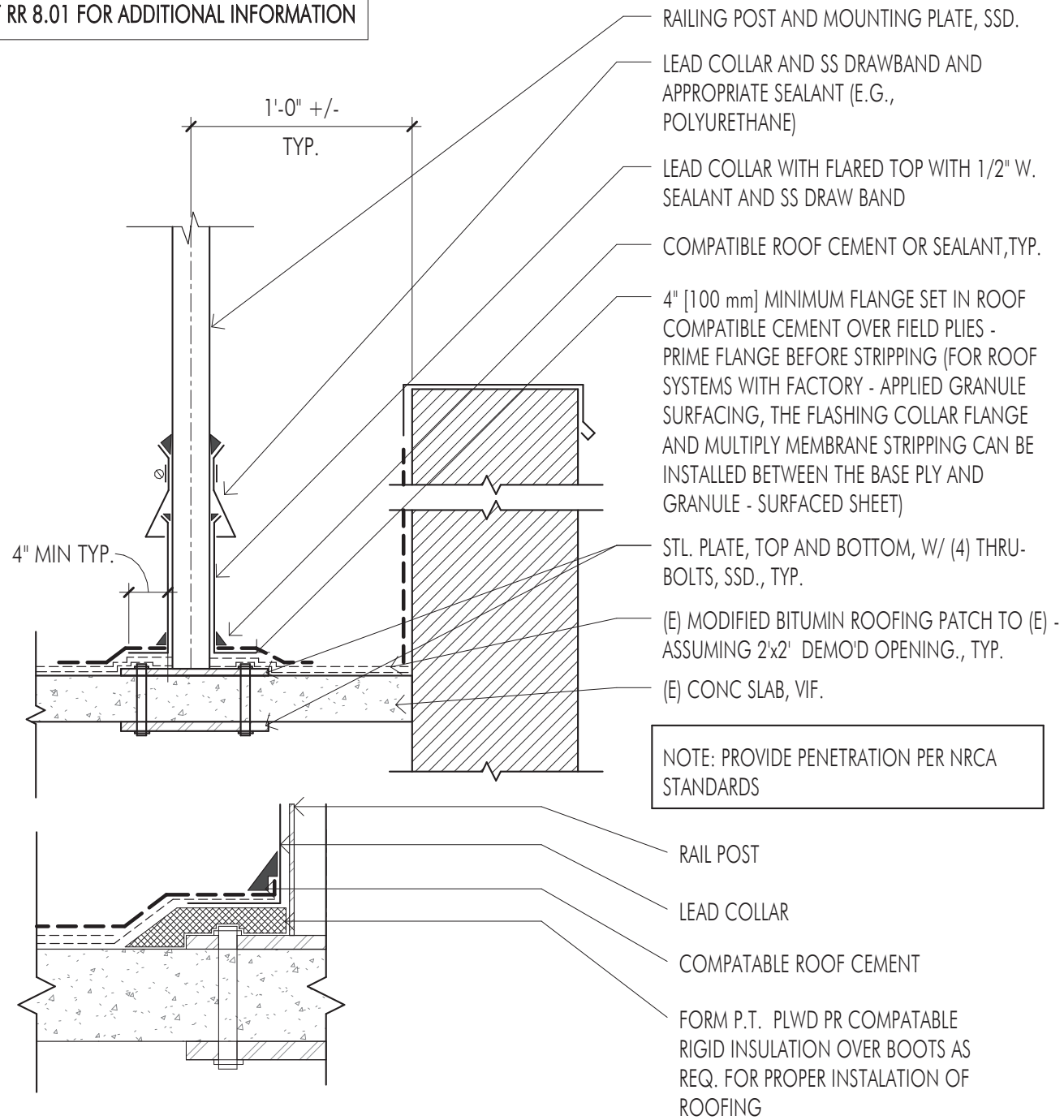
**1 SECTION @ PARAPET**  
3/4" = 1'-0"

NOTE:  
 1. PROVIDE ROOFING SYSTEMS PER NRCA 2007, DETAIL BUR-20S OR SIMILAR SYSTEM COMPATIBLE WITH (E) ROOFING.  
 2. RAILING POST, RELATED PLATES AND MOUNTING SHALL BE HOT DIPPED GALV.



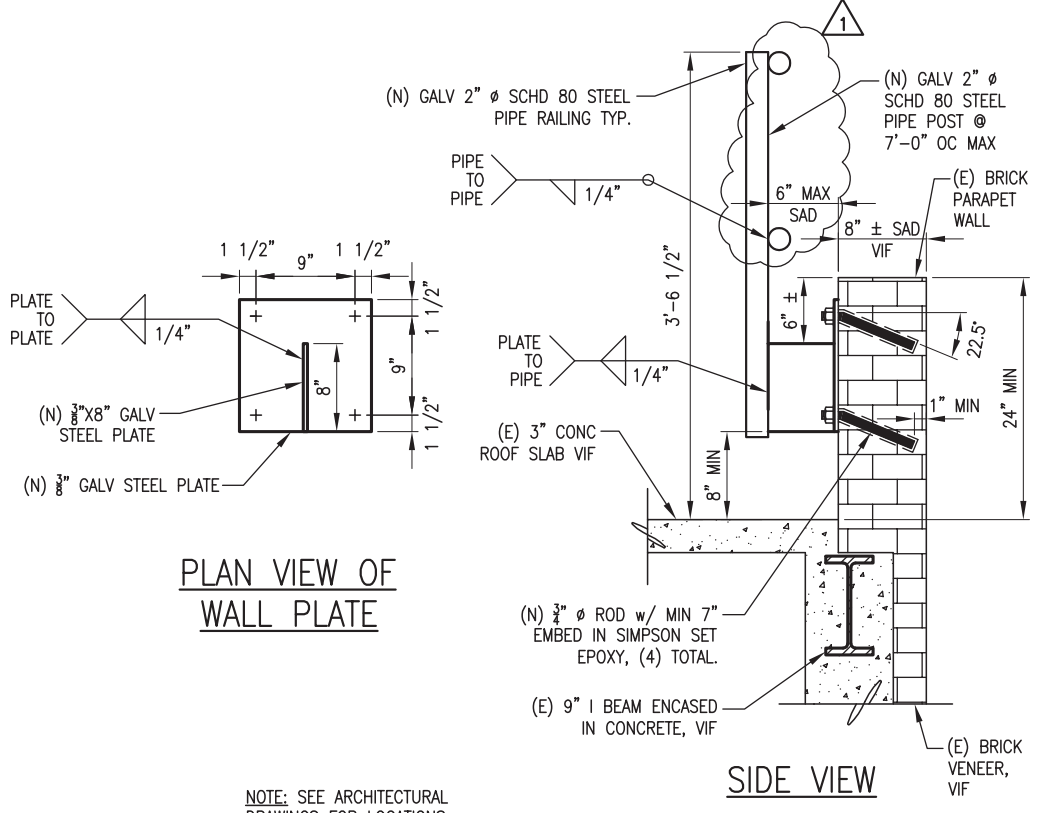
**1 RAILING POST BASE - @ PARAPET >24" HIGH**  
 1 1/2" = 1'-0"

NOTE:  
SEE SHEET RR 8.01 FOR ADDITIONAL INFORMATION

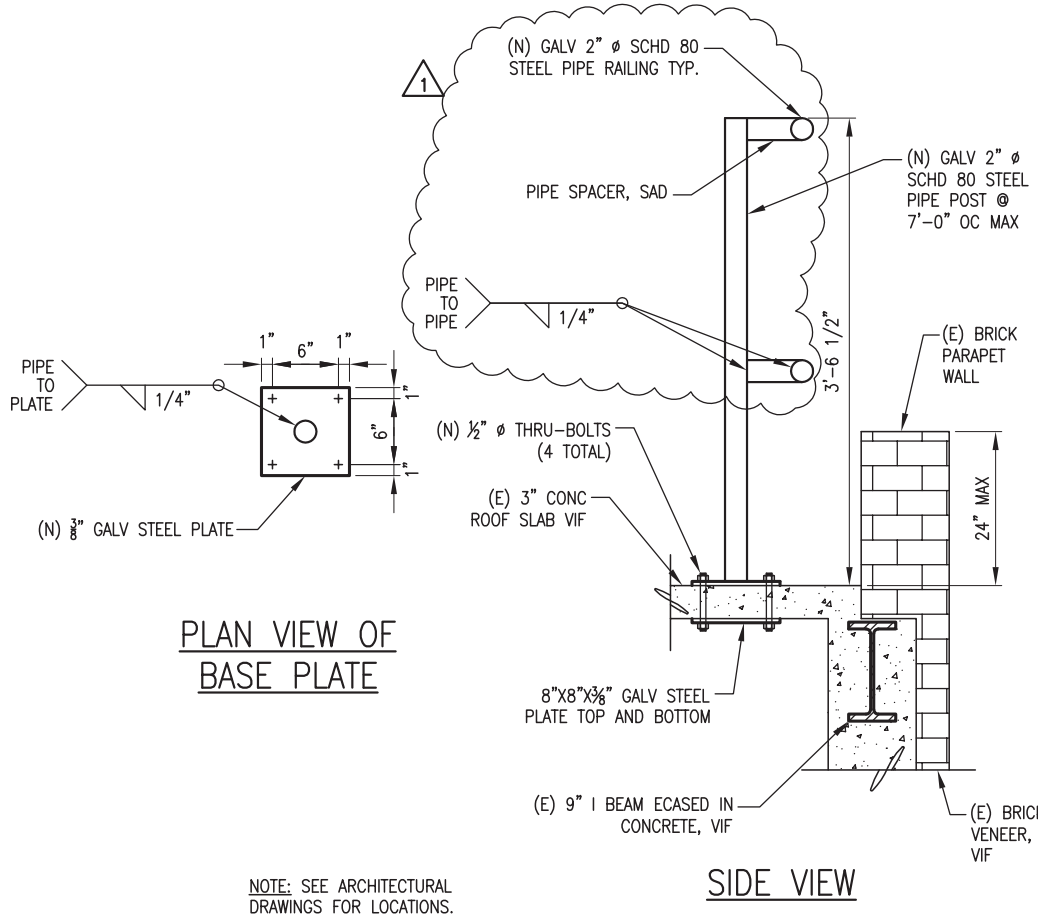


2 RAILING POST BASE - @ PARAPET <24" HIGH  
1 1/2" = 1'-0"





2 (N) ROOF GUARDRAIL @ (E) PARAPET >24" HIGH 1" = 1'-0"



1 (N) ROOF GUARDRAIL @ (E) PARAPET <24" HIGH 1" = 1'-0"